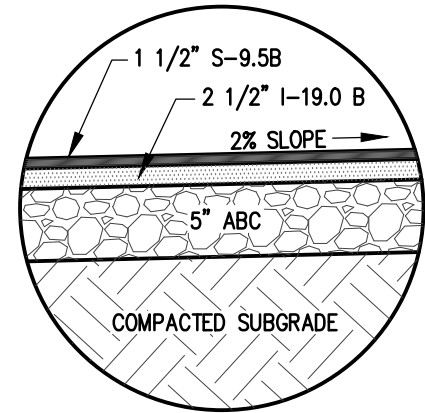
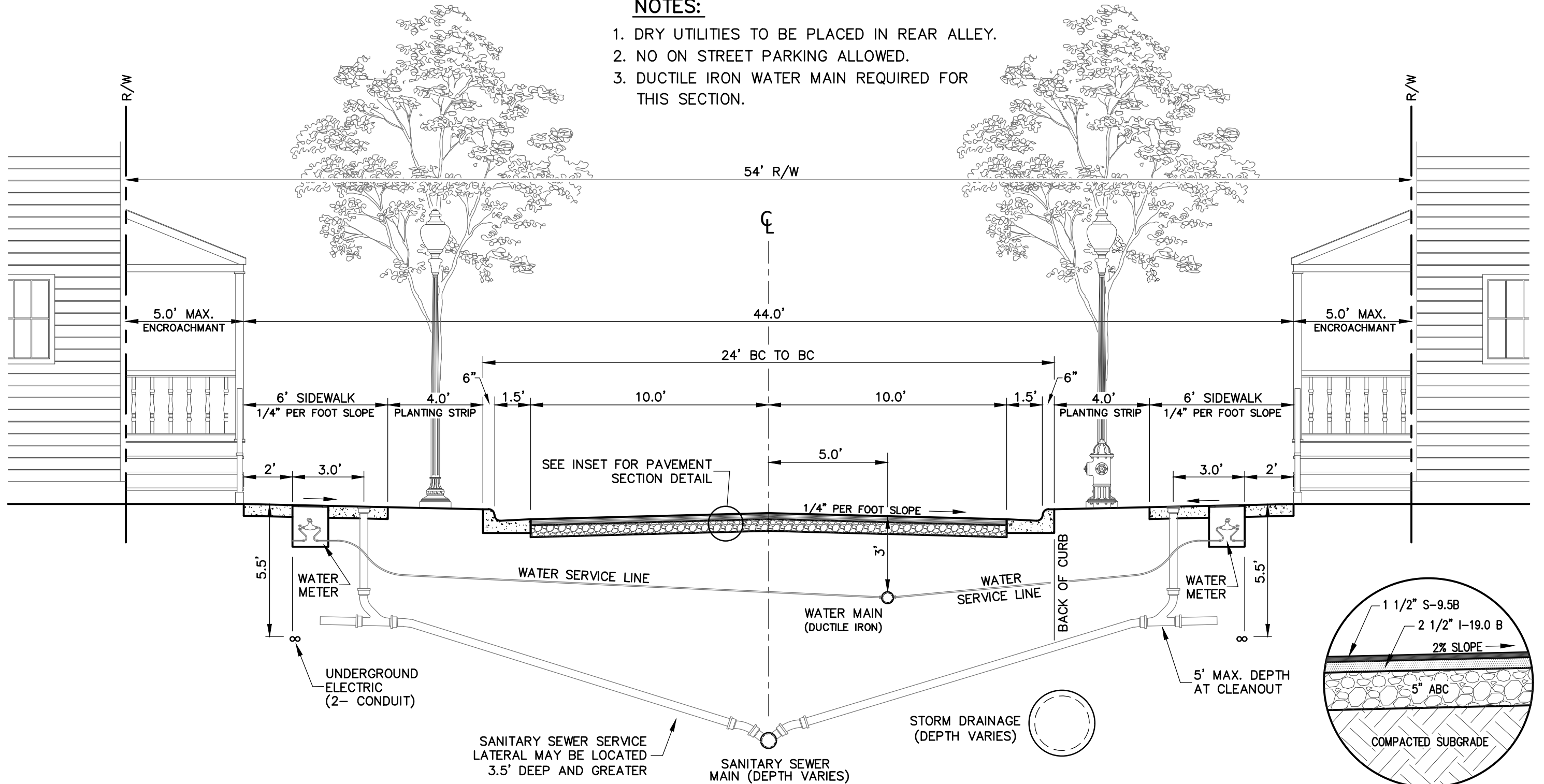


NOTES:

1. DRY UTILITIES TO BE PLACED IN REAR ALLEY.
2. NO ON STREET PARKING ALLOWED.
3. DUCTILE IRON WATER MAIN REQUIRED FOR THIS SECTION.



INSET
NOT TO SCALE

REVISED 2/15/2023	DATE: 07/13/2021
	SCALE: NONE
	DRAWN BY: MGB, TAJ
	CHECKED BY: TAJ
	CITY ENGINEER: GVS



STANDARD DETAIL - R2D2
STREET PAIRED WITH REAR ALLEY
ST-54-20

OFFICE OF THE
CITY ENGINEER
GASTONIA, N.C.