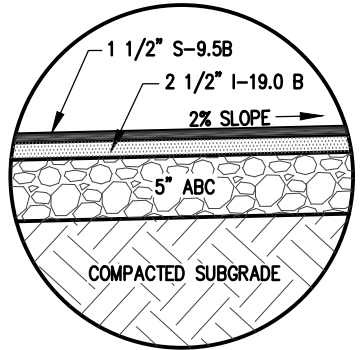
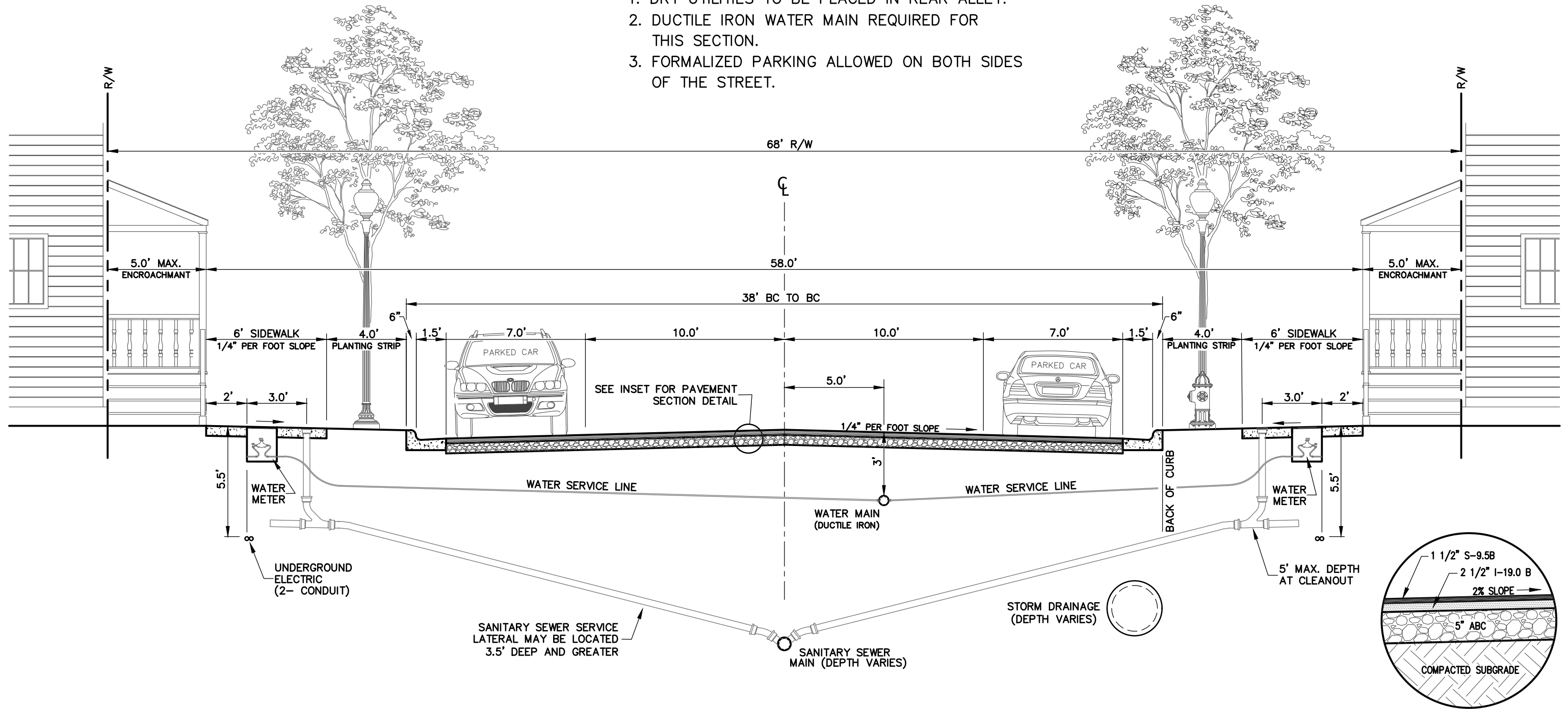


NOTES:

1. DRY UTILITIES TO BE PLACED IN REAR ALLEY.
2. DUCTILE IRON WATER MAIN REQUIRED FOR THIS SECTION.
3. FORMALIZED PARKING ALLOWED ON BOTH SIDES OF THE STREET.



INSET
NOT TO SCALE

REVISED	DATE: 07/16/2021
2/15/2023	SCALE: NONE
	DRAWN BY: MGB, TAJ, ASB
	CHECKED BY: TAJ
	CITY ENGINEER: GVS



STANDARD DETAIL - R2D2
STREET PAIRED WITH REAR ALLEY
ST-68-34

OFFICE OF THE
CITY ENGINEER
 GASTONIA, N.C.