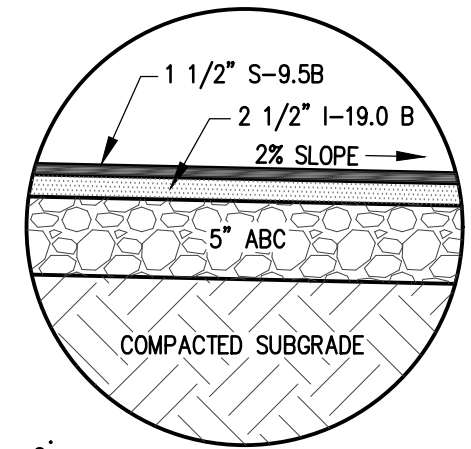
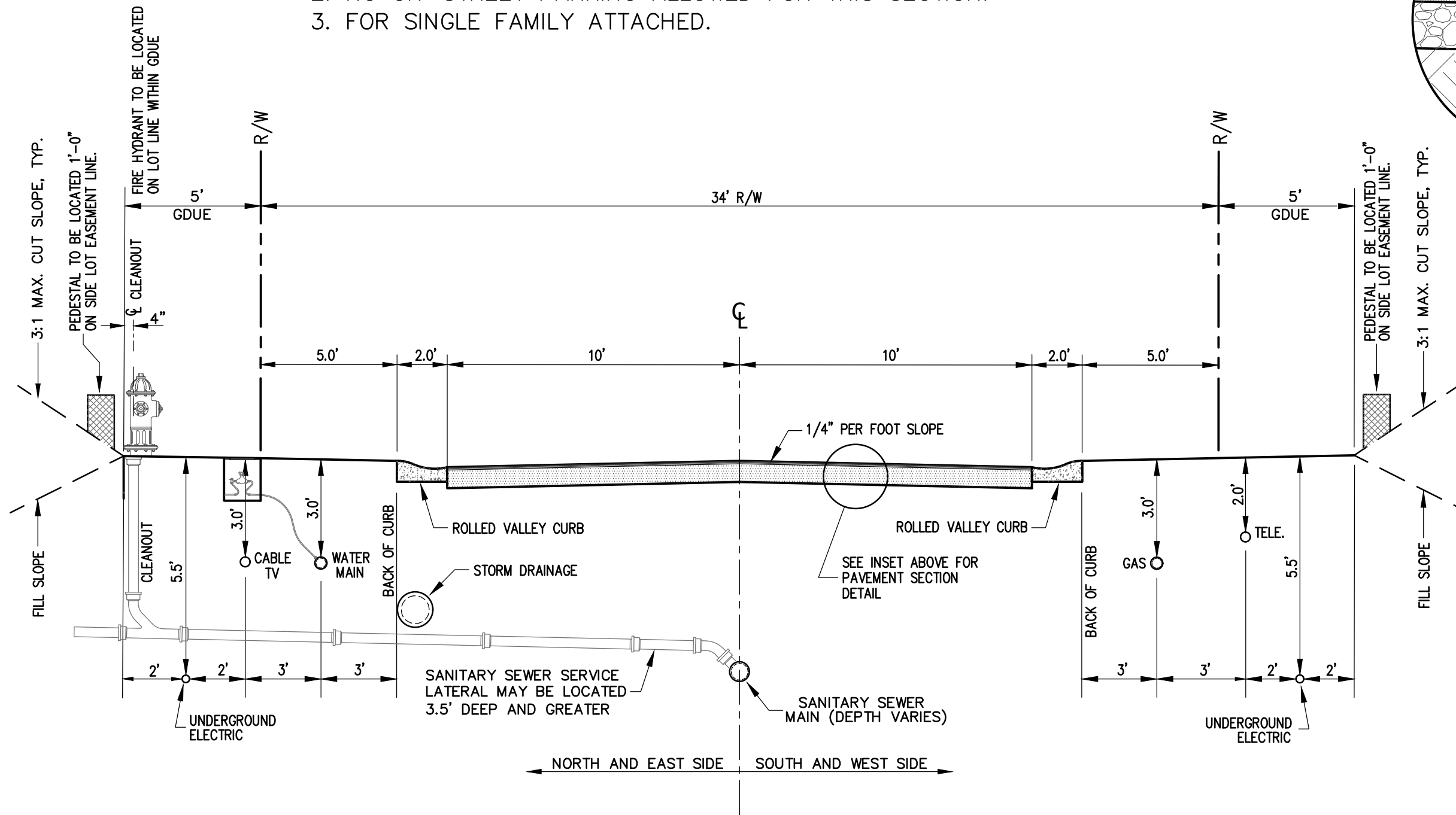


NOTES:

1. SIDEWALKS WILL BE LOCATED ALONG OPEN SPACE OR ADJACENT STREET SECTION.
2. NO ON-STREET PARKING ALLOWED FOR THIS SECTION.
3. FOR SINGLE FAMILY ATTACHED.



INSET
NOT TO SCALE



REVISED	DATE: 6/23/2022
4/20/2023	SCALE: NONE
	DRAWN BY: MGB, TAJ, ASB
	CHECKED BY: TAJ
	CITY ENGINEER: GVS



STANDARD DETAIL - R2D2
STANDARD STREET CROSS SECTION
ST-34-20

OFFICE OF THE
CITY ENGINEER
GASTONIA, N.C.