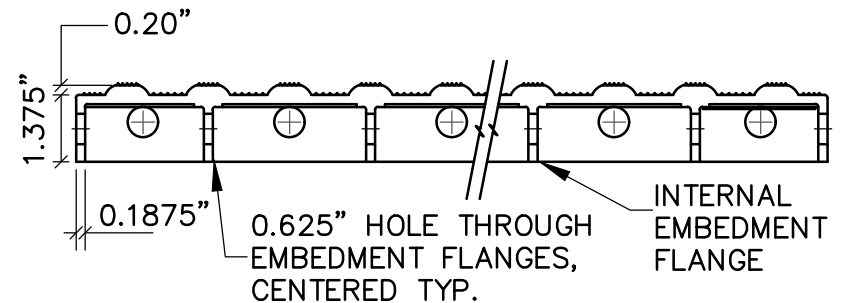
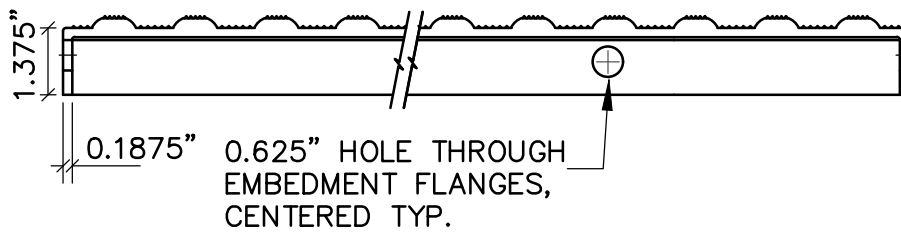


NOTE:  
SEE CITY OF GASTONIA APPROVED MATERIALS LIST FOR PRODUCT MANUFACTURES.



REVISED	DATE: 05/23/19	<h1>Standard Detail</h1> Cast in Place Detectable Warning Surface for Wheelchair Ramp	OFFICE OF THE CITY ENGINEER GASTONIA, N.C.
02/13/26	SCALE: NONE		FILE NO. <b>71D-28</b>
	DRAWN BY: MGB		
	CHECKED BY: TAJ, JKL		
	CITY ENGINEER: GVS, JKL		